

SFA7990™

ESM-to-Controller Mapping and Disk Channel Paths

ALERT! *Controller 0 connects to ESM B and controller 1 connects to ESM A* on the SFA7990.

Correction to Documentation

A documentation error in the *SFA7990 Installation and Configuration Guide* maps the Expansion SAS Modules (ESMs) on the head enclosure to their respective controllers incorrectly. This could lead to incorrect interpretations of the disk channel paths described in SFA7990 logs and reports.

The backplane internal mapping on the SFA7990 head enclosure connects **controller 0 to ESM B** and **controller 1 to ESM A**. Consequently, the “right-side” I/O path for the SFA7990 from controller through head enclosure ESM to SAS cables to expansion enclosure ESM flows as shown below:

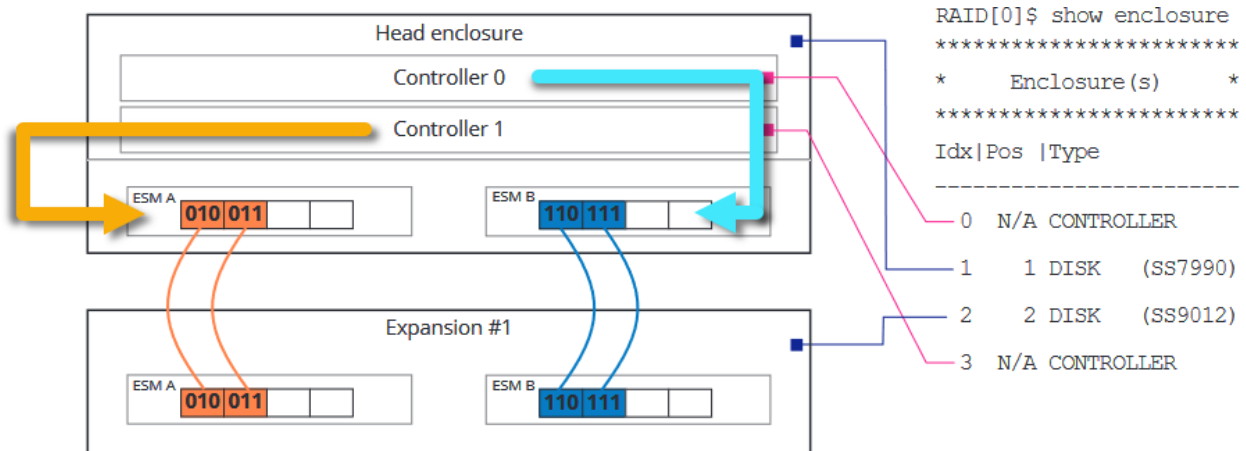
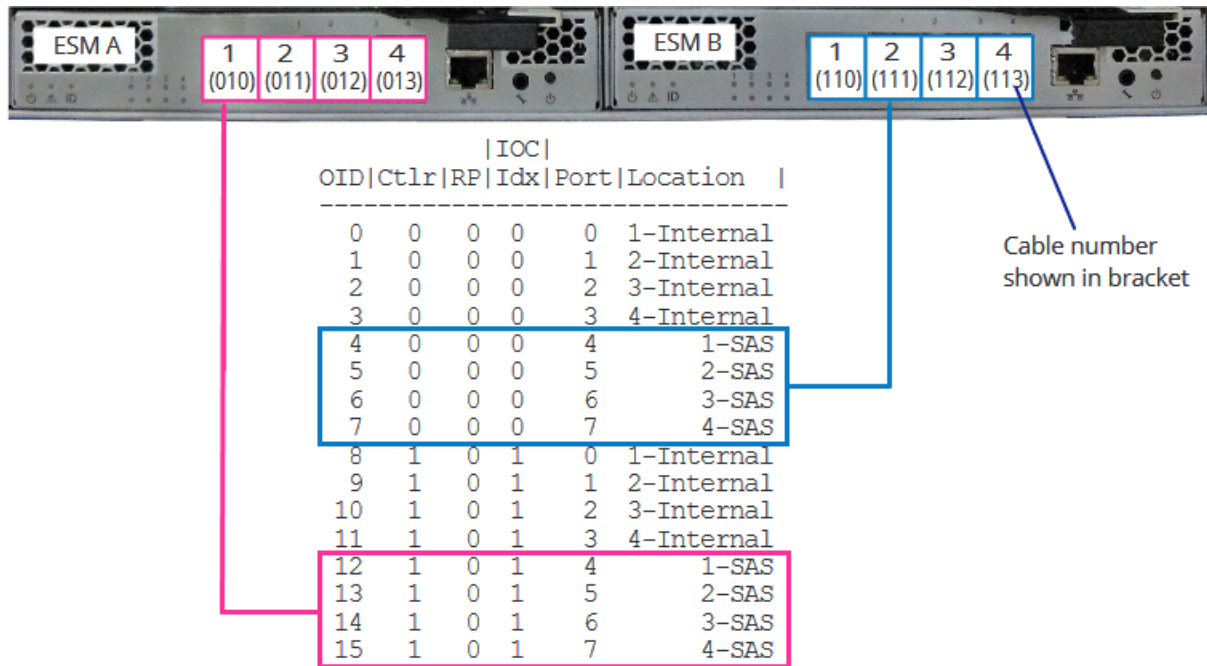


Figure 80 in Section 4.4.2, "SFA7990 Disk Channels," in the *SFA7990 Installation and Configuration Guide* associates the head enclosure ESMs to the incorrect controllers. That figure should appear as follows:



Note that the cable labels above do not conform to DDN-standard SAS cable labeling conventions from a controller perspective. However, they are consistent with the positions of the enclosure ESMs, which are what need to be connected physically. **Controller 0 connects to the expansion controllers through cable numbers 1xx, and controller 1 connects to the expansion controllers through cable numbers 0xx** on the SFA7990.

The cabling shown in Appendix B, "SS9012 Enclosure Cabling," is correct in the documentation.

Resolution

A correction to the SFA7990 documentation is forthcoming.

Contacting DDN Technical Support

Please contact DDN Technical Support at any time if you have questions or require assistance. Support can be reached by phone, by email, or on the web as listed below.

Web

DDN Community Support Portal
Portal Assistance

<https://community.ddn.com/login>
webportal.support@ddn.com

Telephone

DDN Support Worldwide Directory

<https://www.ddn.com/support/global-services-overview/>

Email

Support Email

support@ddn.com

Bulletins

Support Bulletins

<http://www.ddn.com/support/technical-support-bulletins>

End-of-Life Notices

<http://www.ddn.com/support/end-of-life-notices>

Bulletin Subscription Requests

support-tsb@ddn.com